

D

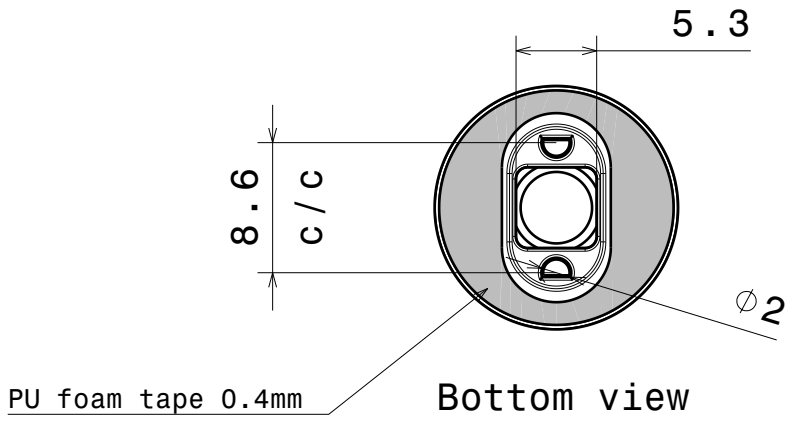
C

B

A

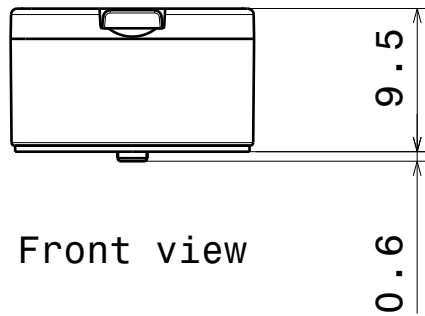
4

4



3

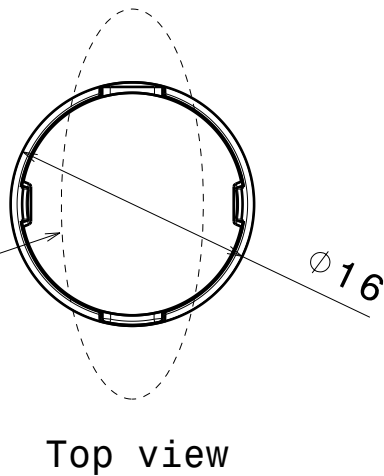
3



2

2

Oval beam direction
(0-90 is turned 90 degree)

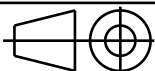


INDEX	PART NO	DESCRIPTION	MATERIAL	COLOUR
1	C12372	TINA2-HLD-BLK	PC	black
2	-	TINA2-XP lens	PMMA	

Tolerances if not otherwise shown
According to DIN ISO 2768-1
Linear measures:
Up to 30mm class M, otherwise class C.
According to DIN ISO 2768-2
Form and position: class L

Ledil Oy
Salorankatu 10
FIN 24240 SALO
Finland

THIRD ANGLE PROJECTION:



DRAWING TITLE

TINA2-XP series

This drawing is the property
of LEDiL Oy. It may not be
reproduced, copied or
communicated without a written
agreement with LEDiL Oy.

SIZE PART NUMBER

A4

-

SCALE

1:1

WEIGHT

1,7 g

SHEET

1/1

1

1

D

A